

Product availability: Stock - Normally stocked in distribution facility

Price*: 89.00 USD



Main

| | |
|---------------------------|--|
| Range of product | Modicon TM3 |
| Product or Component Type | Remote receiver module |
| Range Compatibility | Modicon M221 Modicon M251 Modicon M241 Modicon M262 |

Complementary

| | |
|--|------------------------|
| Maximum Number of I/O Expansion Module | 7 |
| Maximum power dissipation in W | 1 W |
| Marking | CE |
| Height | 3.54 In (90 mm) |
| Depth | 2.89 In (73.3 mm) |
| Width | 0.93 In (23.65 mm) |
| Product Weight | 0.17 Lb(US) (0.075 kg) |

Environment

| | |
|-------------------------------------|---|
| Product Certifications | Merchant Navy GOST C-tick CSA HazLoc |
| Ambient Air Temperature for Storage | -40...158 °F (-40...70 °C) |
| Pollution degree | 2 |
| Operating altitude | 0...6561.68 ft (0...2000 m) |
| Storage altitude | 0.00...9842.52 Ft (0...3000 m) |

Ordering and shipping details

| | |
|-----------------------|--------------------------------|
| Category | 22533 - M2XX PLC & ACCESSORIES |
| Discount Schedule | MSX |
| GTIN | 3606480611247 |
| Nbr. of units in pkg. | 1 |
| Package weight(Lbs) | 5.64 Oz (160 g) |
| Returnability | Yes |
| Country of origin | ID |

Packing Units

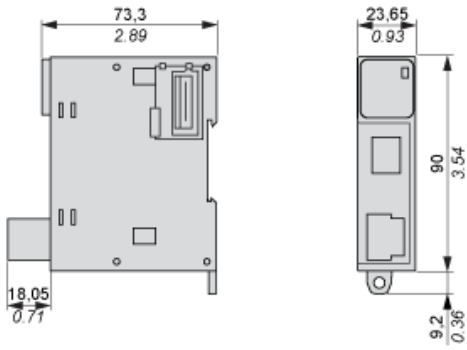
| | |
|------------------------------|------------------------|
| Unit Type of Package 1 | PCE |
| Package 1 Height | 2.92 In (7.414 cm) |
| Package 1 width | 4.13 In (10.483 cm) |
| Package 1 Length | 4.96 In (12.587 cm) |
| Unit Type of Package 2 | S03 |
| Number of Units in Package 2 | 18 |
| Package 2 Weight | 8.00 Lb(US) (3.631 kg) |
| Package 2 Height | 11.81 In (30 cm) |
| Package 2 width | 11.81 In (30 cm) |
| Package 2 Length | 15.75 In (40 cm) |

Offer Sustainability

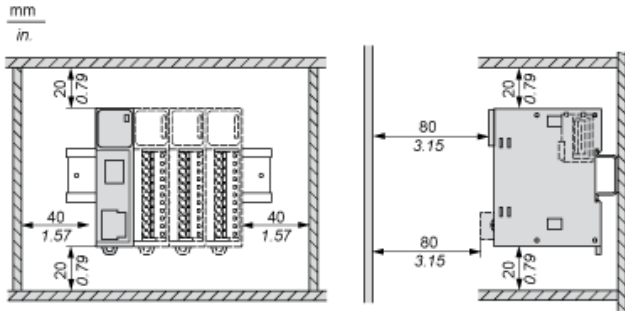
| | |
|----------------------------|--|
| Sustainable offer status | Green Premium product |
| California proposition 65 | "WARNING: This product can expose you to chemicals including: Lead and lead compounds, which is known to the State of California to cause cancer and birth defects or other reproductive harm. For more information go to www.P65Warnings.ca.gov " |
| REACH Regulation | REACH Declaration |
| EU RoHS Directive | Pro-active compliance (Product out of EU RoHS legal scope) EU RoHS Declaration |
| Mercury free | Yes |
| RoHS exemption information | Yes |
| China RoHS Regulation | China RoHS Declaration |
| Environmental Disclosure | Product Environmental Profile |
| Circularity Profile | End Of Life Information |
| WEEE | The product must be disposed on European Union markets following specific waste collection and never end up in rubbish bins. |
| PVC free | Yes |

Dimensions

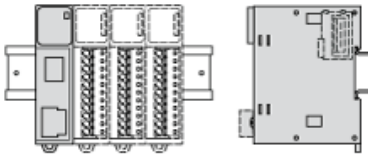
mm
in.



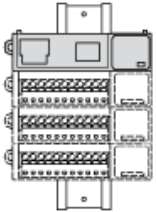
Spacing Requirements



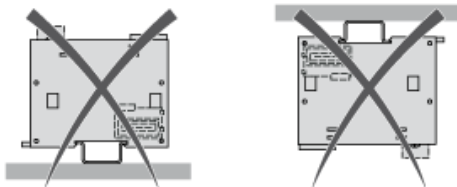
Mounting on a Rail



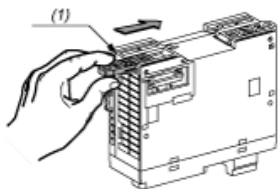
Vertical Mounting



Incorrect Mounting

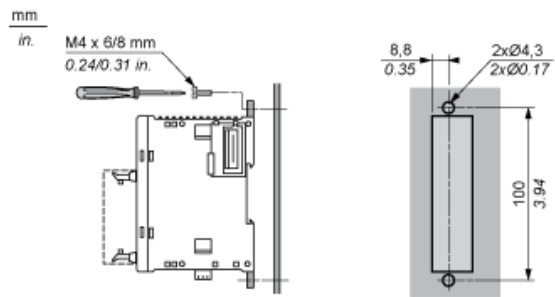


Mounting on a Panel Surface



- (1) Install a mounting strip

Mounting Hole Layout



Product Life Status : **Commercialised**